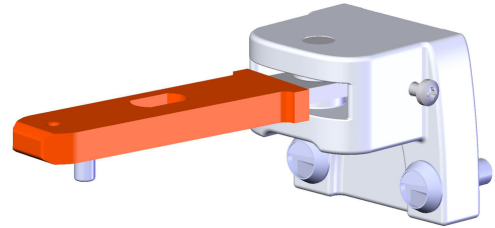


## RADIUSBETAETIGER-Z-L (Order no. 024298)

### Hinged actuator, left, for safety switches NZ.VZ, NZ.VZ.VS and TZ

- ▶ Two stainless-steel safety screws per actuator



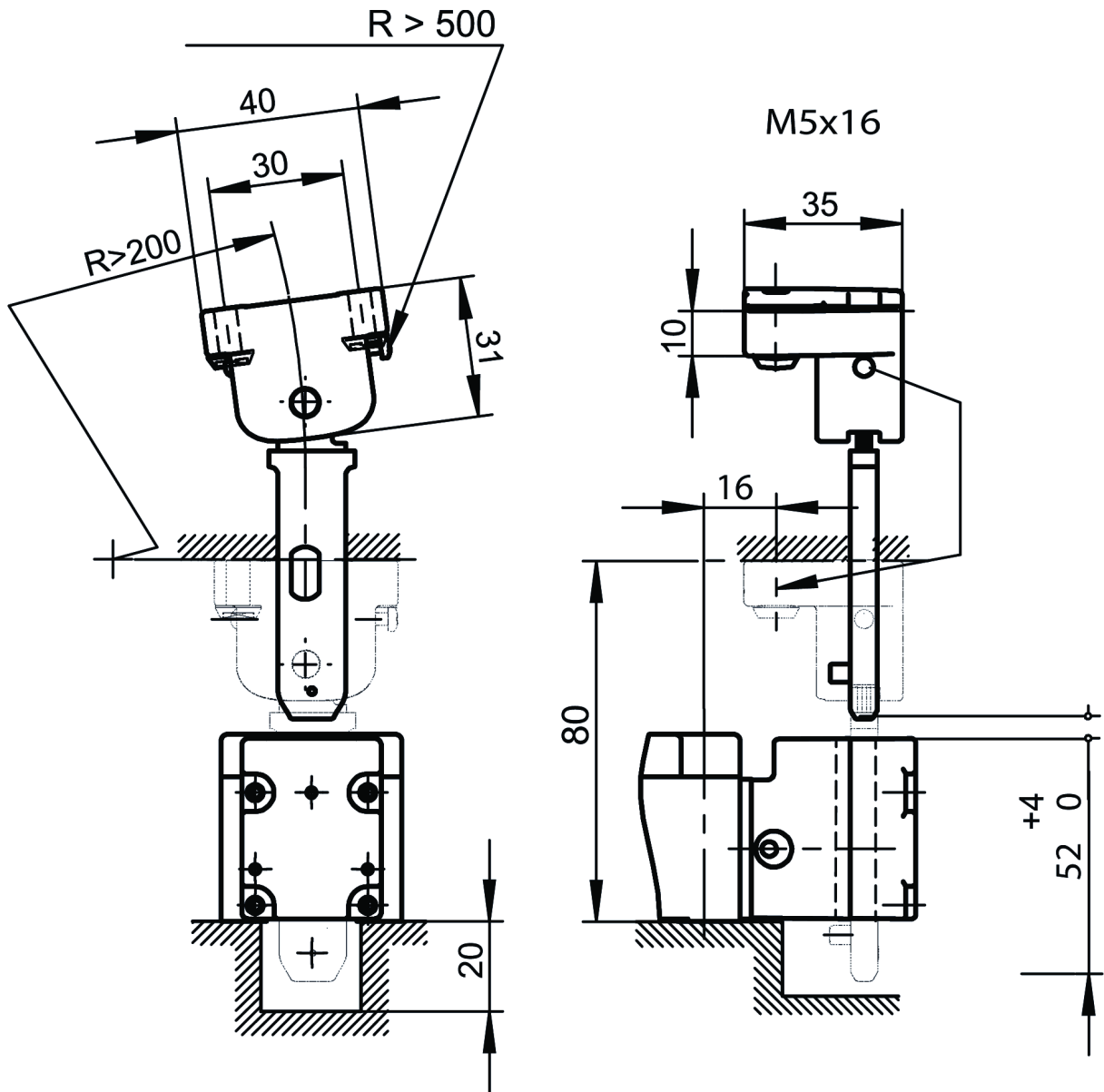
### Hinged actuators

For door radii less than 1000 mm a hinged actuator should be used. The spring action movement of the actuator prevents damage due to the actuator jamming in the actuator head. Depending on the movement of the guard, the actuator must be selected for left/right or top/bottom.

### Screws made of stainless steel

The safety screws included can be inserted with a normal tool, but cannot be removed again.

## Dimensional drawings



## Technical data

### Approvals



### Mechanical values and environment

Overtravel	max. 4 mm
------------	-----------

Door radius	min. 200 mm
-------------	-------------

#### Material

Actuator	Galvanized steel
----------	------------------

Screw	Stainless steel
-------	-----------------

Sheath	Plastic
--------	---------

### Miscellaneous

Usability of insertion funnel	no
-------------------------------	----

## Downloads

All documentation for this material can be found on our website:

<https://www.euchner.de/en-us/a/024298/?#downloads-tab>

**Ordering data**

Ordernumber	024298
Item designation	RADIUSBETAETIGER-Z-L
Gross weight	0,1 kg
European Article Number (EAN)	4047048000032
Customs tariff number	85389099990
ECLASS	27-27-26-06 Actuator for safety-related position switch

## Accessories

### Mounting accessories

#### Safety screws M5 x 16

**073456**

M5X16/V100

- ▶ Safety screws M5 x 16
- ▶ Packaging unit 100 pieces